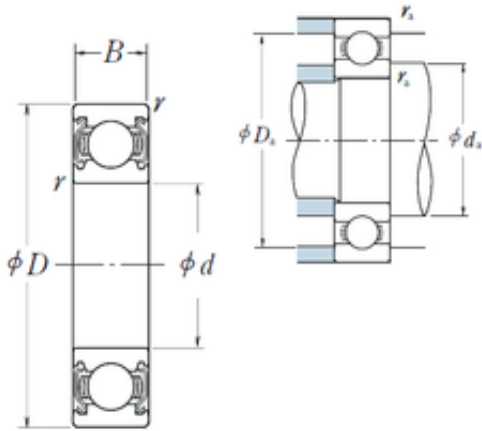




China 6205 Bearing Supplier



6808ZZ Bearing 2D drawings and 3D CAD models

Japan NSK Thin Section Bearing 6808ZZ

Bearing No. 6808ZZ

Size	40x52x7 mm
Bore Diameter	40 mm
Outer Diameter	52 mm
Width	7 mm
d	40 mm
D	52 mm
B	7 mm
C	7 mm
r min.	0,3 mm
da min.	42 mm
da max	42 mm
Da max.	50 mm
ra max.	0,3 mm
Weight	0,031 Kg
Basic dynamic load rating (C)	6,35 kN
Basic static load rating (C0)	5,55 kN
(Grease) Lubrication Speed	12 000 r/min
Category	Single Row Ball Bearings
Inventory	0.0
Manufacturer Name	NSK
Minimum Buy Quantity	N/A
Weight / Kilogram	0.035
EAN	0029176425752
Product Group	B00308
Enclosure	2 Metal Shields
Precision Class	ABEC 1 ISO P0



China 6205 Bearing Supplier

Maximum Capacity / Filling Slot	No
Rolling Element	Ball Bearing
Snap Ring	No
Internal Special Features	No
Cage Material	Steel
Internal Clearance	C0-Medium
Inch - Metric	Metric
Long Description	40MM Bore; 52MM Outside Diameter; 7MM Outer Race Diameter; 2 Metal Shields; Ball Bearing; ABEC 1 ISO P0; No Filling Slot; No Snap Ring; No Internal Special Features
Category	Single Row Ball Bearing
UNSPSC	31171504
Harmonized Tariff Code	8482.10.50.68
Noun	Bearing
Keyword String	Ball
Manufacturer URL	http://www.nskamericas.com
Weight / LBS	1.575
Outside Diameter	2.047 Inch 52 Millimeter
Bore	1.575 Inch 40 Millimeter
Outer Race Width	0.276 Inch 7 Millimeter
SRI	2.05
hidYobi	6808ZZ
LangID	1
D_	52
SREX	0.015
B_	7
da min	42
hidTable	ecat_NS RDGB



China 6205 Bearing Supplier

SRE	2.05
mass	0.031
GRS rpm	12000
ra	0.3
SRIX	0.015
D_a	50
SRIN	-0.015
C0	5.55
fo	17
SREN	-0.015
DE_	49.969
Prod_Type3	DGBB_SR_ZZ
DA_	3.969
bomp	0
Z_	21
yobi	6808ZZ
C_conv	6350
ALPHA_	0
SDM_	46
r	0.3
KBRG	6141
SBRG	18
DI_	42.031